



# VEDANA® OWNER'S MANUAL

2019 EDITION

IMPORTANT INFORMATION FOR THE INSTALLER  
AND THE OWNER



## TABLE OF CONTENTS

WARRANTY	4
SAFETY INSTRUCTIONS	5
TECHNICAL SPECIFICATIONS	6
PARTS & TOOLS	7
SITE PREPARATION	8 - 9
STRUCTURE INSTALLATION	10 - 11
ELECTRICAL INSTALLATION	12
FINISHING INSTALLATION	13 - 17
MIAPLUS® CONTROL NAVIGATION	18 - 19
BLUETOOTH - MUSIC	20
MAINTENANCE	21 - 22
TROUBLESHOOTING	23 - 24

956, chemin Olivier  
Lévis (Québec)  
G7A 2N1

T 418.831.7701

1.800.463.2187

F 418.831.6623

1.800.382.8587

info@bainultra.com

# THE BAINULTRA® LIMITED WARRANTY

**VEDANA®: 5 YEARS**

## LIMITED WARRANTY

This limited warranty is extended only to the original purchaser of the unit who has possession of his or her receipt of purchase, and is valid only when the unit has been purchased through an authorized Bains Ultra Inc. ("BainUltra®") retailer and has been registered with BainUltra® (registration not required for consumer purchasers domiciled in the Province of Québec). This warranty is not transferable under any circumstance. Please note that you are responsible for inspecting the product and all parts prior to installation. This warranty will not apply if a product with visible defects has been installed without providing notice to BainUltra® of the defect.

In the case of the electronic components of the Vedana®, BainUltra® guarantees against defects in materials and workmanship for a five-(5) year period from the original purchase date.

BainUltra® products are designed for residential use only. BainUltra® products used for commercial or display applications will be limited to a two-(2) year warranty against defects in materials and workmanship regardless of the specific nature of any potential defects.

BainUltra® products sold outside of North America will be limited to a parts-only warranty through the dealer of the sale. Our service department will help diagnose any problems with your unit and will provide parts only for repairs or replacements covered by the warranty. All parts will be shipped to the dealer in North America. BainUltra® will not be responsible for cost of shipping or servicing outside of North America.

Any part that must be changed during the warranty period will be covered by the original warranty or for a two-(2) year period following replacement, according to the first contingency.

## EXCLUSIONS

The above-stated limited warranty applies as long as the damage is not caused by an accident, abuse, misuse, fire, insects, use of abrasive products, force majeure or an act of God.

The above-stated limited warranty does not apply to transport, handling or installation damages.

Moreover, this warranty is void if i): your Vedana® is installed by anyone other than a licensed contractor; or ii): your Vedana® or part thereof has been modified or if any repairs have been attempted by anyone other than BainUltra®, an authorized BainUltra® dealer, or other representative of BainUltra®; or iii): the unit is installed outdoors, or has not been installed in accordance with BainUltra®'s instructions, or in compliance with local codes and ordinances.

Any and all components that are not provided by BainUltra®, as well as any items attached or installed on your Vedana®, or on any other BainUltra® product after the date of manufacture are expressly excluded from this limited warranty.

## PROCEDURE

Any defect involving BainUltra®'s potential liability under this limited warranty shall be reported to BainUltra® within ten (10) days of its occurrence. To assist you with your warranty, please contact BainUltra®'s customer service by email, telephone or fax between 8 a.m. to 6 p.m. Monday to Thursday (EST) or 8 a.m. to 5 p.m. on Friday (EST).

Email: [wecare@bainultra.com](mailto:wecare@bainultra.com)  
Tel.: 1 800 463-2187 or 418 831-7701  
Fax: 1 800 382-8587 or 418 831-6623

BainUltra Inc.  
956, chemin Olivier  
Lévis, Québec  
Canada G7A 2N1

Proof of purchase and date of purchase will be required. Units claimed to be defective shall be held until inspected by an authorized representative of BainUltra®, and upon their specific instructions, units found to be defective will be repaired or replaced at BainUltra®'s exclusive choice.

The liability of BainUltra® with respect to the sale of this unit shall be limited to repair or replacement by a similar product as provided above and does not include any cost of removal, reinstallation, transport and shipping of defective product, loss of time, salary or any other expenses as well as any consequential damages of any kind.

BainUltra® and its representatives shall not be liable for any injury, loss, cost or other damage, whether direct, consequential, incidental, or special, that arise from any defect covered under this limited warranty, even if BainUltra® has been advised of the possibility of such damage. Some states and provinces may not allow the exclusion or limitation of incidental or consequential damages, so the above limitation or exclusion may not apply to you, but these limitations or exclusions will be enforced to the maximum extent of the law.

An adequate access way to mechanical and electrical parts of your Vedana® must be anticipated and prepared before an authorized representative arrives on the premises to carry out a repair. The costs incurred to provide access to the electronic module or the heating system will not be covered by this warranty.

## LIMITATIONS

Except for consumer purchasers domiciled in the Province of Québec, and except to the extent prohibited by applicable law, this limited warranty replaces all other warranties, expressed or implied, in fact or at law, including implied warranties based on course of dealing, usage of trade, and merchantability and fitness for a particular purpose. (Inapplicable in Québec). The terms of this limited warranty cannot be modified or extended in any way whatsoever by any agent, dealer, distributor, service company or party other than BainUltra®.

BainUltra® excludes any statement in any advertisement or instruction, any picture, or any guideline as an express warranty for our products. We recognize that some states and provinces may not allow limitations on implied warranties, so the above limitations and exclusions may not apply to you, but they will be enforced to the maximum extent of the law.

## LEGAL RIGHTS

This limited warranty gives specific legal rights and is not applicable if it interferes with any law or regulation in any state, province or country.

## SAFETY INSTRUCTIONS

### IMPORTANT: READ AND FOLLOW ALL INSTRUCTIONS

### INSTRUCTIONS PERTAINING TO A RISK OF FIRE, ELECTROCUTION, OR PERSONAL INJURY

- Never let children operate the Vedana® without supervision.
- Never obstruct the heated air exit with any object.
- Basic precautions must be taken during the installation and usage of electrical products, as mentioned in this manual.
- Installation must allow easy access to components for servicing and repairs.
- Under no circumstances should a substitution be made for any Vedana® component.
- Cleaning measures should be duly followed, including the recommendation to clean the filters.
- Avoid wearing contact lenses or jewelry during Thermotherapy sessions.
- To reduce the risk of injury never touch the metal structure or ceramic around the Vedana® during thermotherapy session.
- Do not install shower heads or water spray device above the air heater.
- As in any heated environment, prolonged exposure to high temperatures may trigger hyperthermia (overheating). Hyperthermia occurs when internal body temperature rises above normal body temperature of 98.6 °F (37 °C).
- Symptoms of hyperthermia include an increase in internal body temperature, dizziness, nausea, loss of consciousness, lethargy, and drowsiness. The effects of hyperthermia include:
  - Inability to perceive heat;
  - Inability to recognize the need to exit the room;
  - Physical inability to leave the room;
  - Unawareness of danger;
  - Fetal injury in pregnant women;
  - Loss of consciousness.
- If you are a pregnant women, or a person who have had a stroke or have heart disease, kidney failure, or a history of heat stroke, contact a doctor before doing a Thermotherapy session. The use of drugs or alcohol may significantly increase the risk of death from hyperthermia.
- Drink water before, during and after the therapy to avoid dehydration.
- Use gradually the therapeutic system.
- All electrical connections must be made by a certified electrician in accordance with local, provincial/state, and federal building/electrical code regulations.
- Make connections as shown in diagram. Make connections in the control box before connecting to power supply.
- This unit is connected to a 240 V circuit.
- The unit's electrical system must be connected to a circuit protected by a 40 Amperes Class A ground fault circuit interrupter (GFCI). These components must be new.
- Control panel connections must be minimum no. 8 AWG copper conductors rated minimum 194 °F (90 °C).

#### PRECAUTIONS FOR ESSENTIAL OILS AND NEBULIZER:

- Never drink essential oils or leave children alone with essential oils.
- Do not drop essential oils in nose, ear, or anogenital mucosal.
- If allergic reactions occur, stop using the product.
- Do not use if the seal is broken.
- Manipulate the diffuser with care to reduce the risk of injuries.
- Avoid contact of essential oil with eyes. In the event of accidental contact with eyes, carefully apply vegetable oil to the affected eye with a cotton swab. **DO NOT rinse eyes with water.** See immediate medical assistance.



#### WARNING

- FAILURE TO FOLLOW THE SAFETY INSTRUCTIONS OF THE MANUAL COULD RESULT IN SERIOUS PERSONAL INJURY AND/OR PROPERTY DAMAGE.
- USE THIS VEDANA® UNIT FOR ITS INTENDED PURPOSES OR AS DESCRIBED IN THIS MANUAL. USE ONLY ATTACHMENTS RECOMMENDED BY THE MANUFACTURER.

# TECHNICAL SPECIFICATIONS

## DIMENSIONS

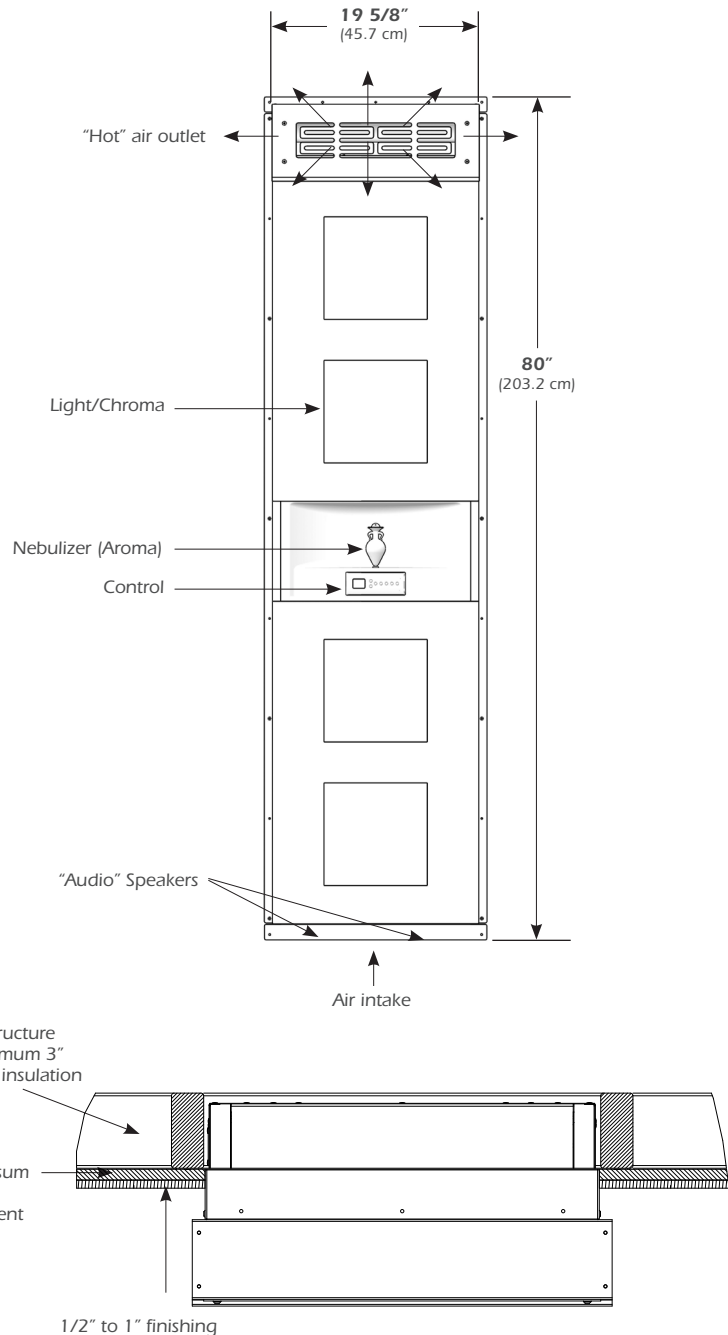
21" x 80" x 9 1/2"

## THERAPIES INCLUDED

- Aromatherapy
- Thermotherapy®
- Light therapy®
- Chromatherapy
- Sound therapy®

## GENERAL SPECIFICATIONS

- Polycarbonate
- Galvanized stainless structure
- Stainless steel and polycarbonate finish
- All bolts required for assembly included
- This unit is connected to a 240 V circuit / 40 Amp.



Polycarbonate & Components\*

- The manufacturer accepts a 1/4" (0.64 cm) variance. There are variations on each product and specifications are subject to change as we improve our product. The dimensions needed for site preparation and structure building may differ. BainUltra® assumes no responsibility for preparatory work done prior to the product being on site.

\* Some restrictions may apply.

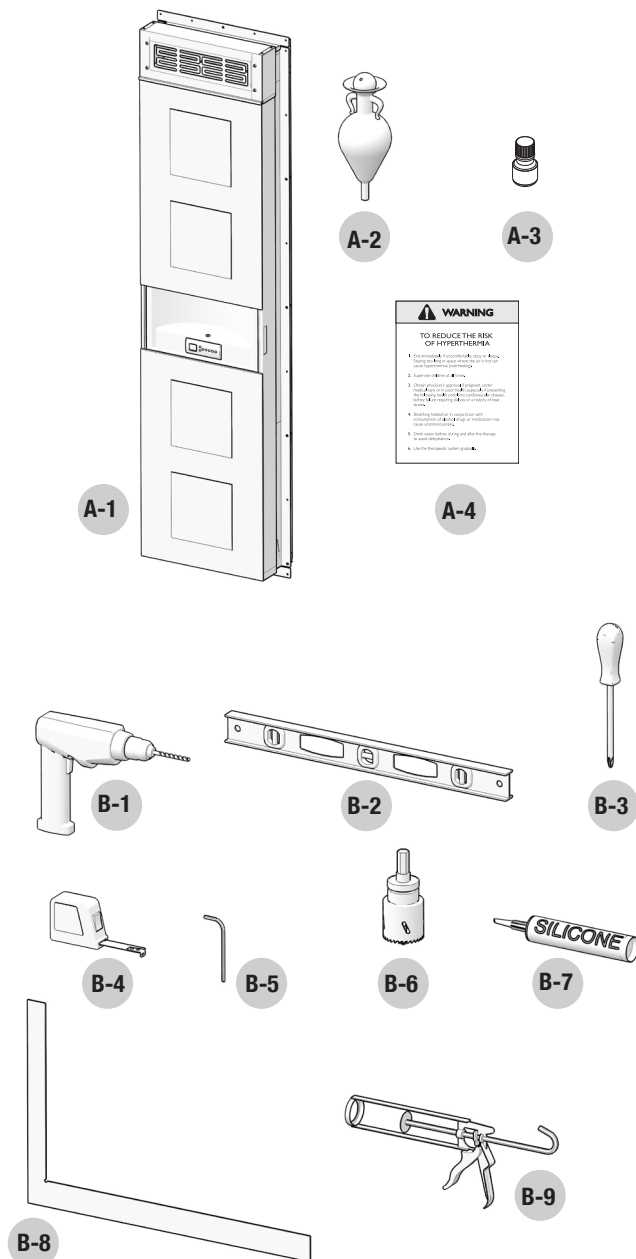
## PARTS &amp; TOOLS

## A. PARTS INCLUDED

<b>A-1</b>	Vedana
<b>A-2</b>	Nebulizer
<b>A-3</b>	Essential oils bottle
<b>A-4</b>	2 Hyperthermia warning sticker

## B. TOOLS REQUIRED

<b>B-1</b>	Drill
<b>B-2</b>	24" Level
<b>B-3</b>	Phillips screwdriver
<b>B-4</b>	Measuring tape
<b>B-5</b>	1/8" Allen key
<b>B-6</b>	Hole saw
<b>B-7</b>	Silicone
<b>B-8</b>	24" Square
<b>B-9</b>	Caulking gun

**IMPORTANT**

- Vedana® unit is delivered in a single box.
- Please make sure that all parts are present and in proper condition.

# SITE PREPARATION

## INSTALLATION CONFIGURATION

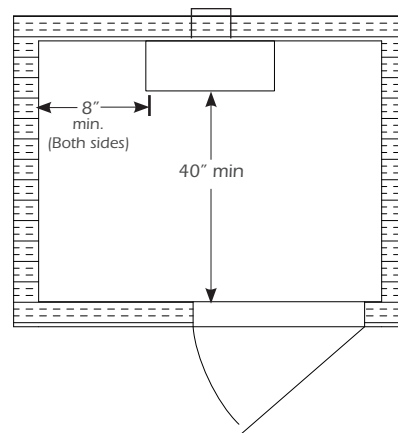
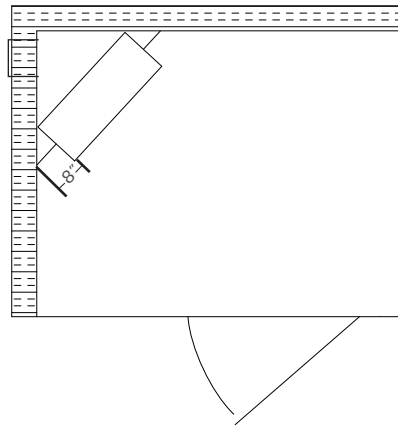
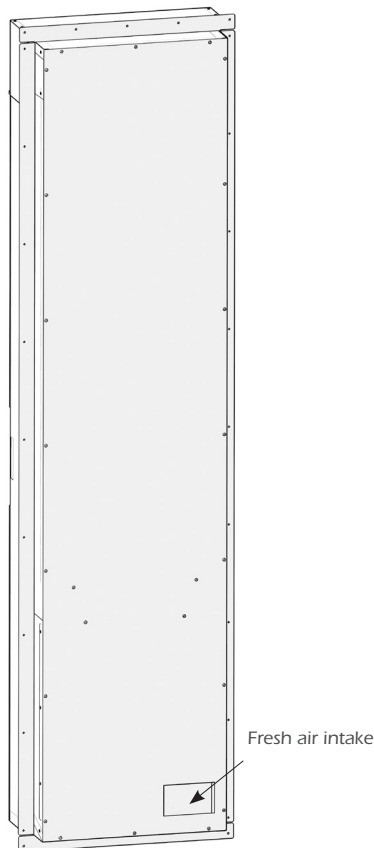
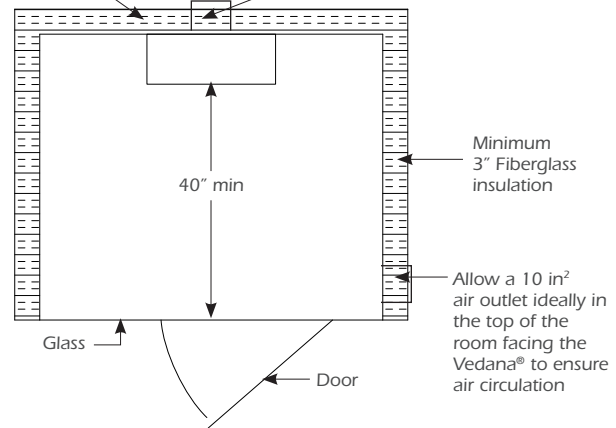
Your Vedana was designed to provide optimal efficiency in a room of 120 ft<sup>3</sup> to 280 ft<sup>3</sup>. Minimum ceiling height: 7 ft, maximum 8 ft.

Do not install closer than 8 in to any vertical surface, 2 in to ceiling or 4 in to the floor.

**IMPORTANT:** All electrical connections must be carried out by a certified electrician.

Do not screw on the back wall facing the Vedana®

Minimum air intake of 24 in<sup>2</sup> behind the Vedana®



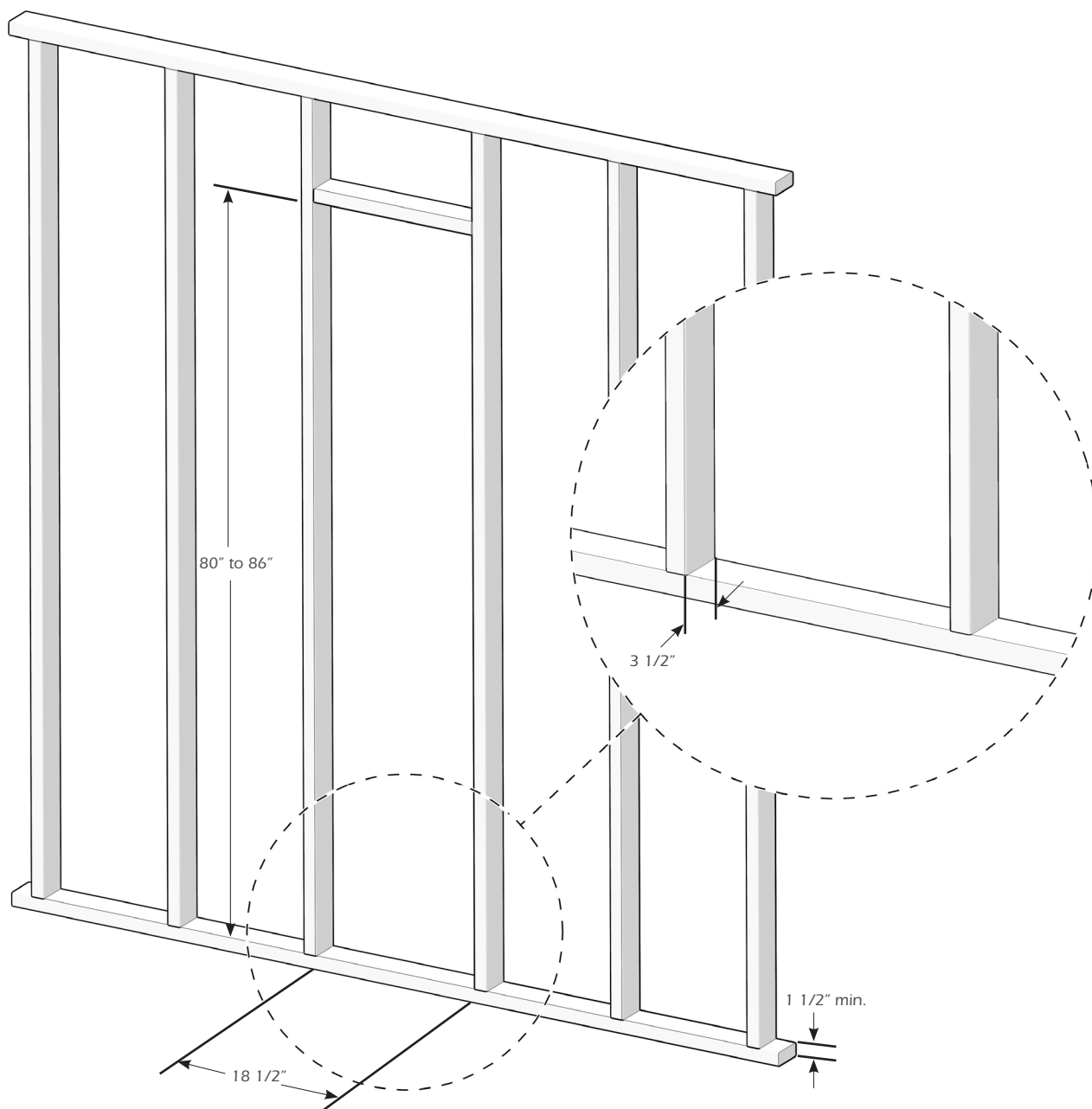
## ⚠ WARNING

- Do not install on an exterior wall, this would reduce the insulation of your house.
- Doors must always open outwards. All that should be needed to open the door is a light pressure. Never install any locking or latching on the door. Make sure that the door can't cause any entrapment.



## SITE PREPARATION

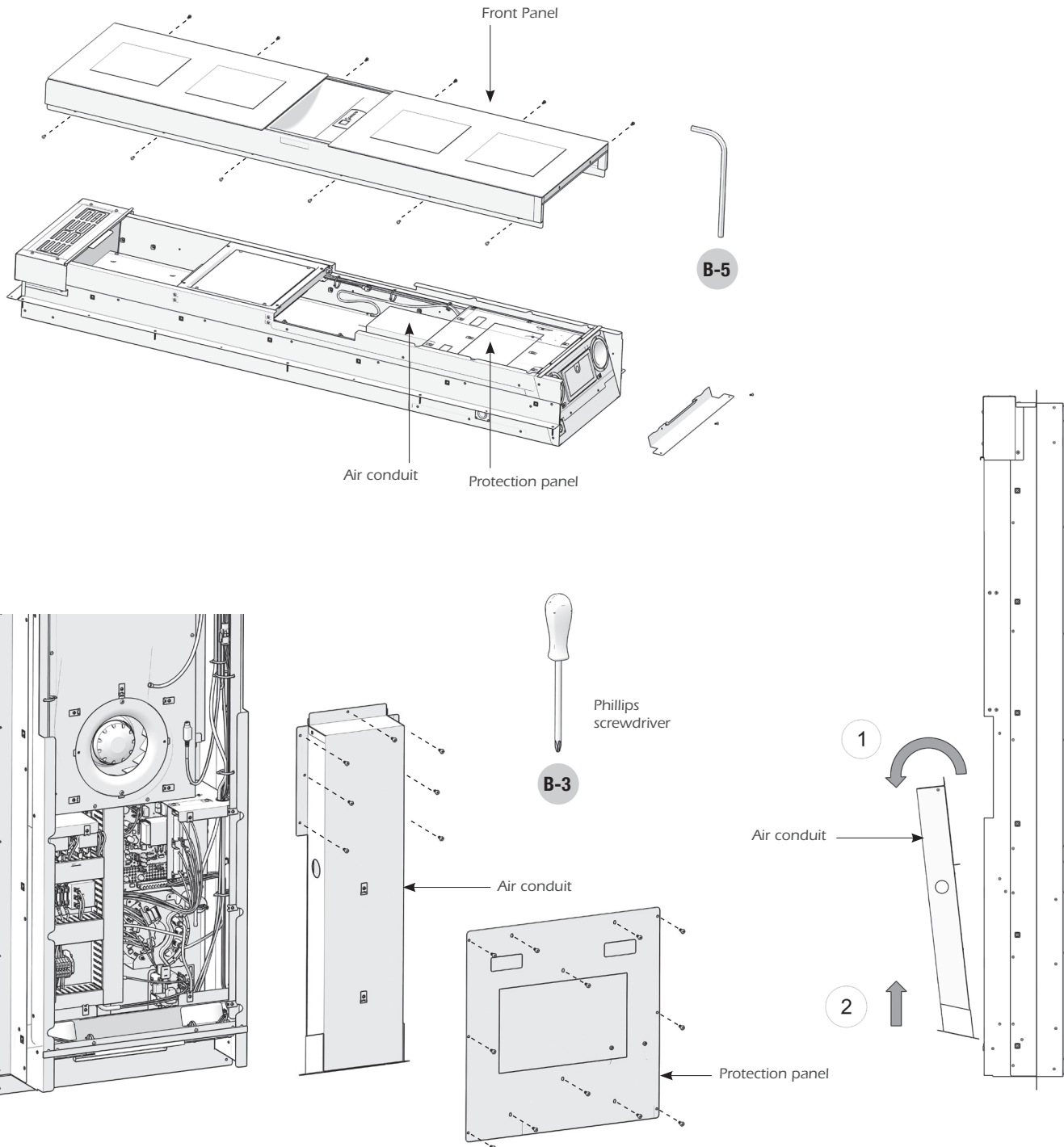
## STRUCTURE AND INSTALLATION OF SUPPORTS

**WARNING**

- Do not install shower faucets or a shower head any closer than 3 ft (36") from the Vedana®.

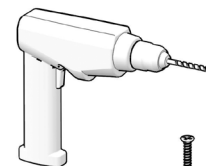
# STRUCTURE INSTALLATION

- Remove front panel, protection panel and air conduit



## STRUCTURE INSTALLATION

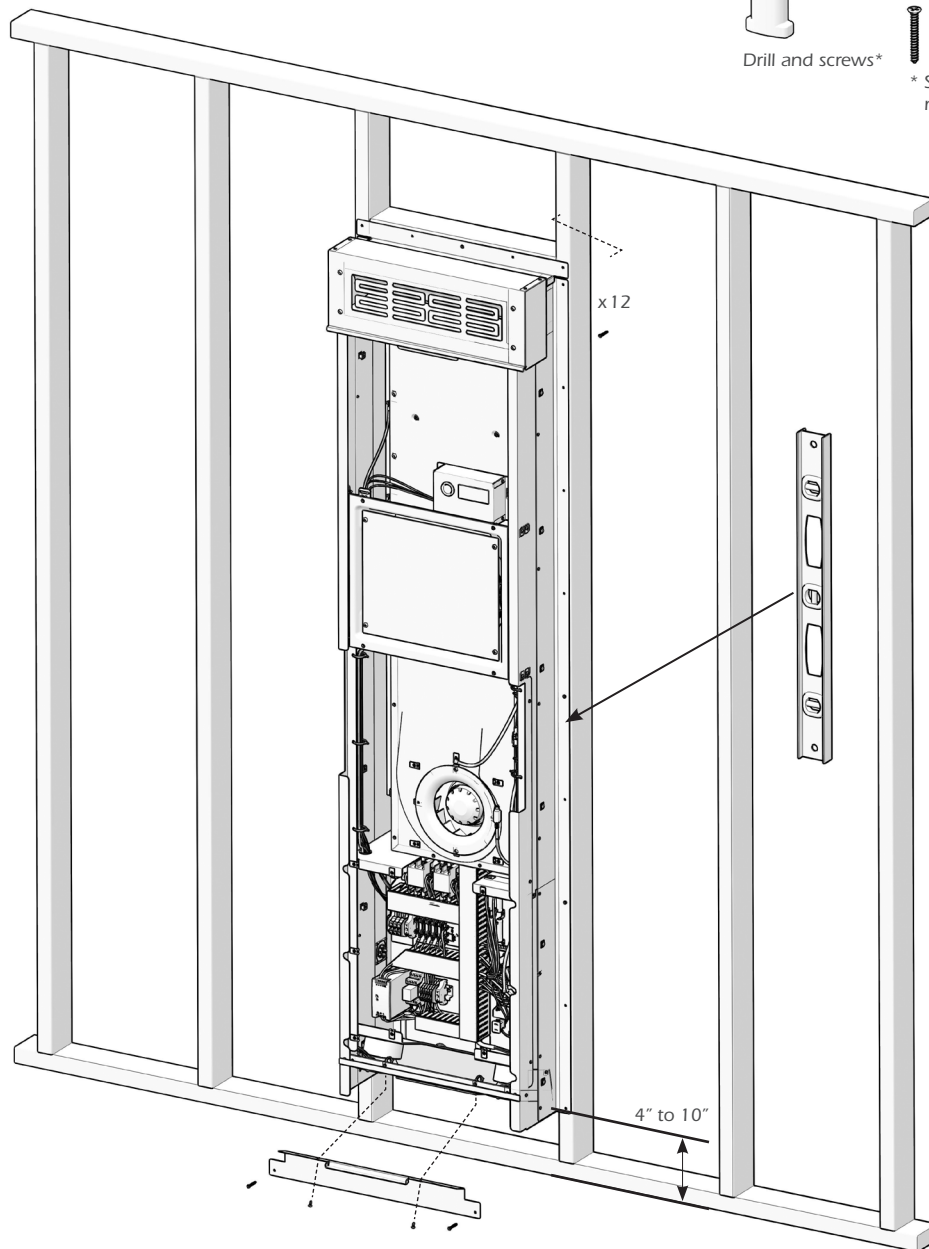
- Once the Vedana is fixed to the structure, screw the small panel at the bottom of the structure.
- It is strongly recommended to use 12 screws (not included) to fix the Vedana. Please choose the screws according to your structure material.



Drill and screws\*



\* Screws x12 not included


 **WARNING**

- Always handle the Vedana® with the help of another person to avoid breach and/or injury.
- When drilling holes, be careful not to damage the stainless steel side panels.

# ELECTRICAL INSTALLATION

## ELECTRICAL CONNECTIONS

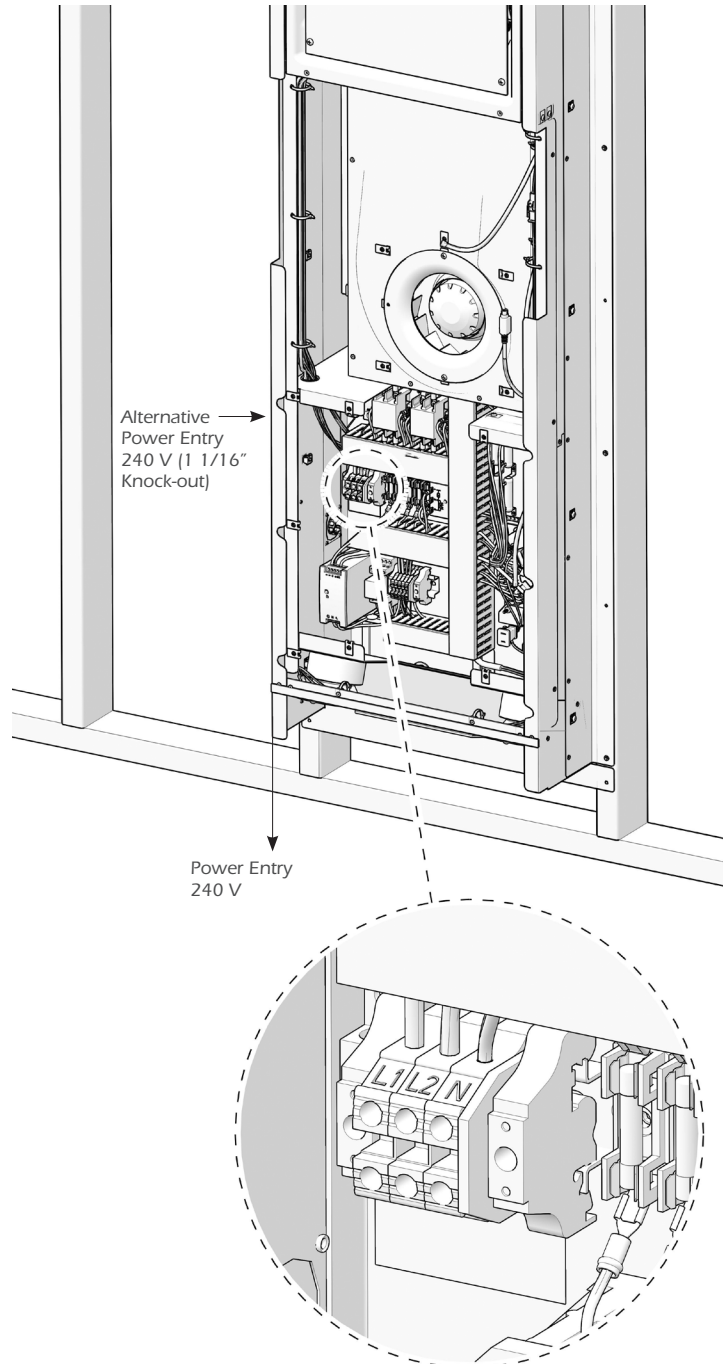
Proceed carefully when installing the electrical system, paying close attention to the following: All electrical connections must be made by a certified electrician in accordance with local, provincial/state and federal building/electrical code regulations.

Make connections as shown below. Make connections in the control box before connecting to power supply.

This unit is connected a 240 V circuit.

The unit's electrical system must be connected to a circuit protected by a 40 Amperes Class A ground fault circuit interrupter (GFCI). These components must be new.

Connections must be minimum No. 8 AWG copper conductors rated minimum 194 °F (90 °C).

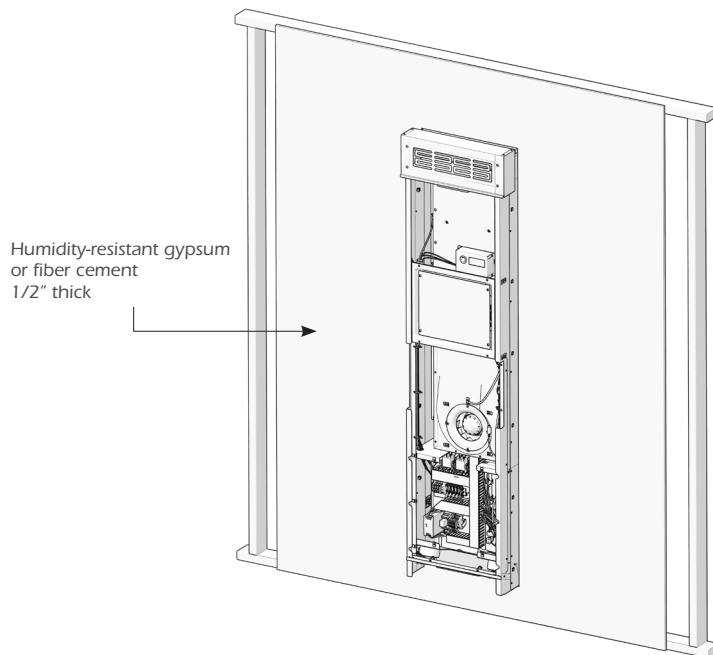


**WARNING**

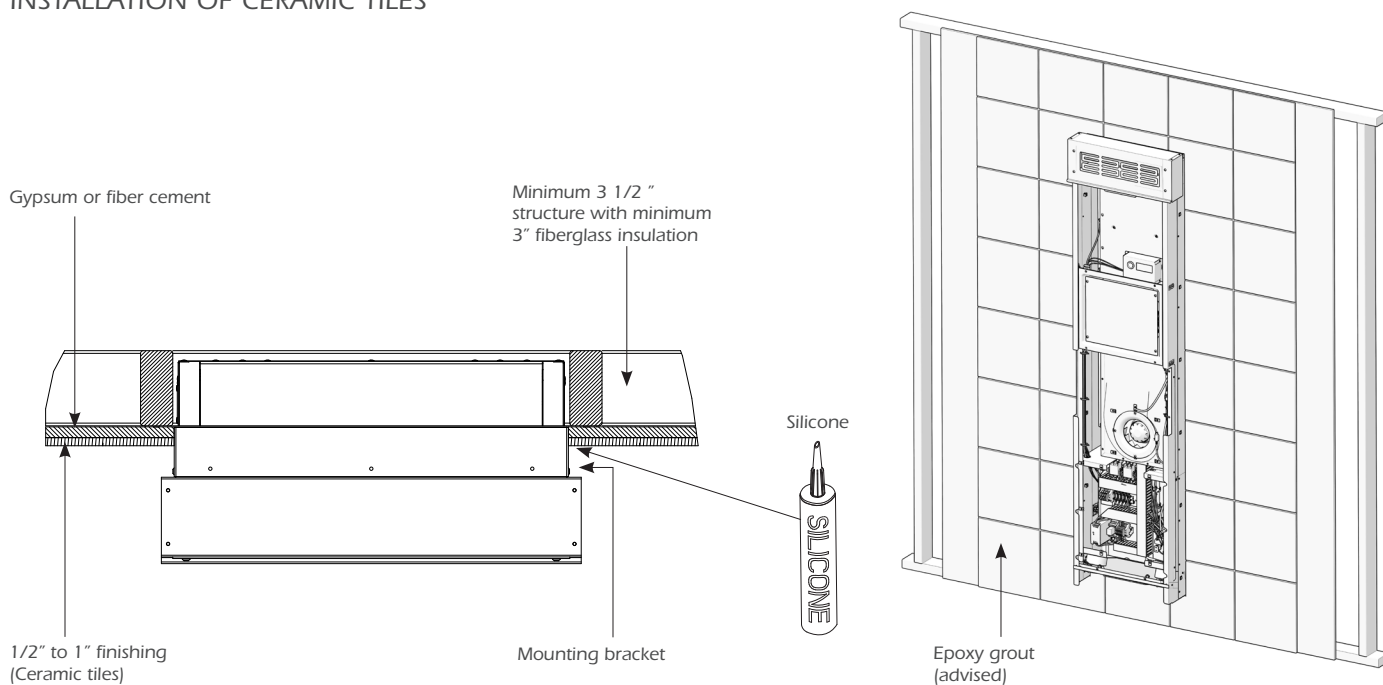
- Under no circumstances should a substitution be made for any Vedana® component.

## FINISHING INSTALLATION

### INSTALLATION OF WALL PANELS (GYPSUM)



### INSTALLATION OF CERAMIC TILES

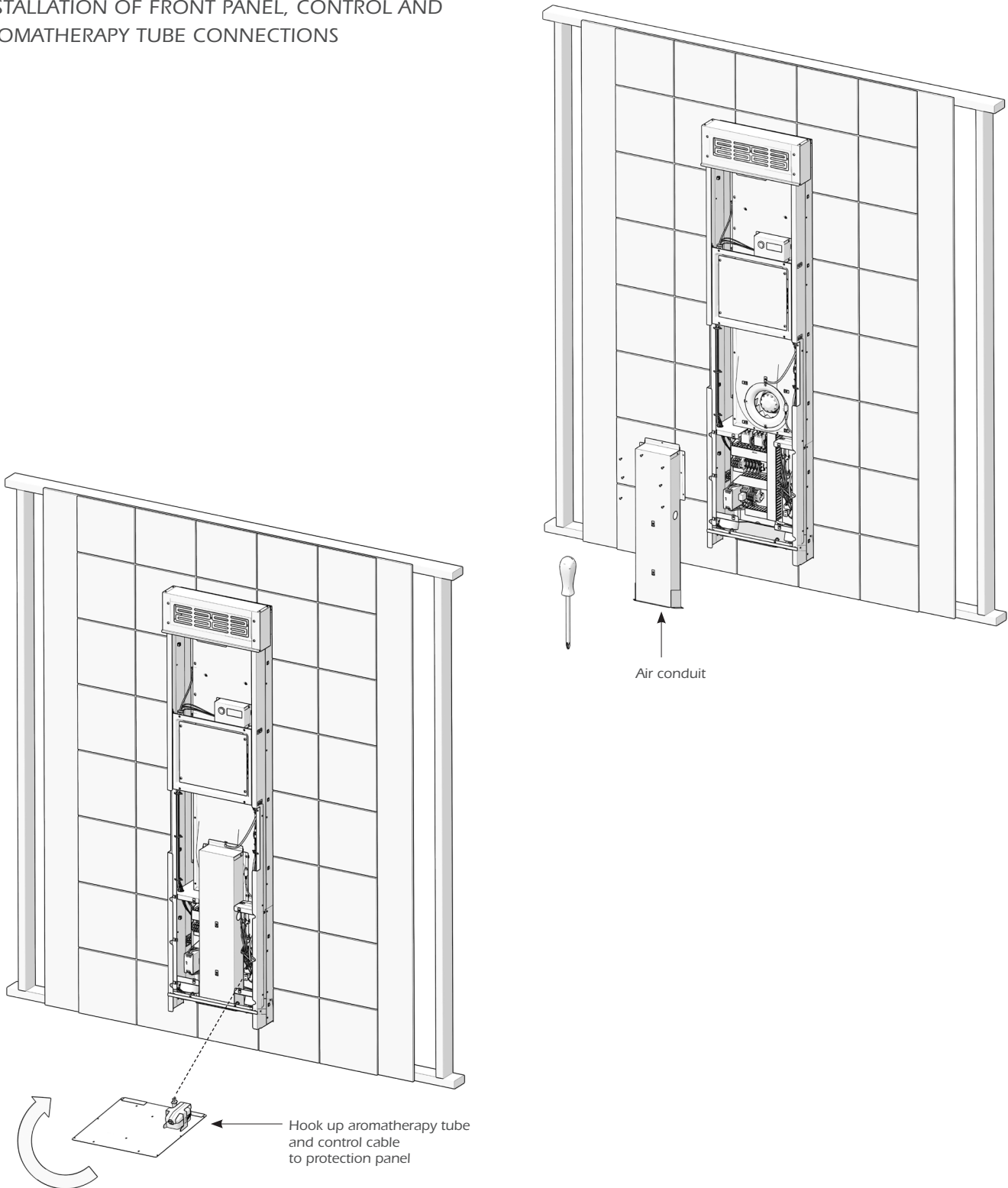


#### WARNING

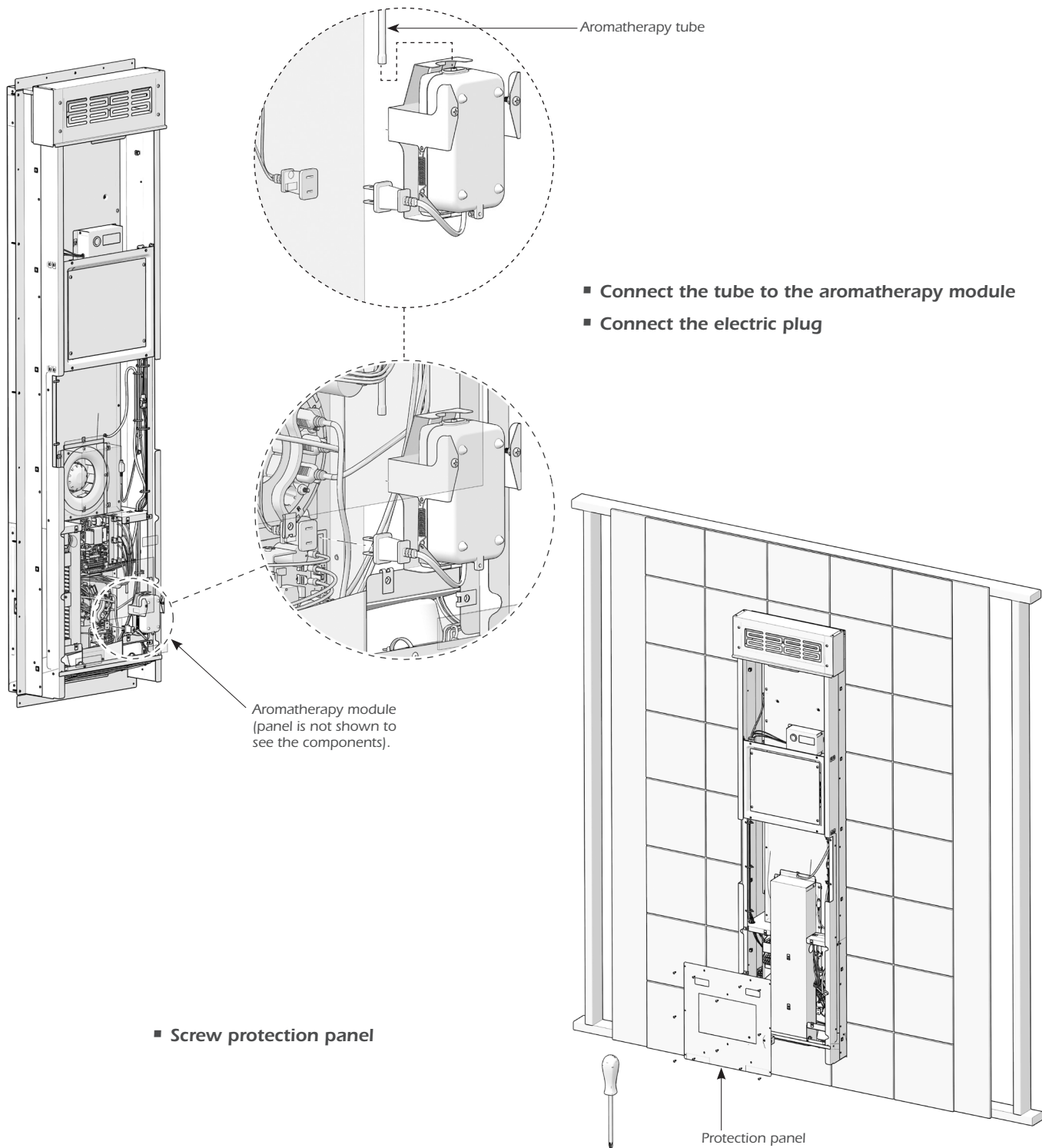
- Install ceramic tiles according to industry standards.
- Never drill into the Vedana® structure, but only into the expressly designated places.

# FINISHING INSTALLATION

## INSTALLATION OF FRONT PANEL, CONTROL AND AROMATHERAPY TUBE CONNECTIONS

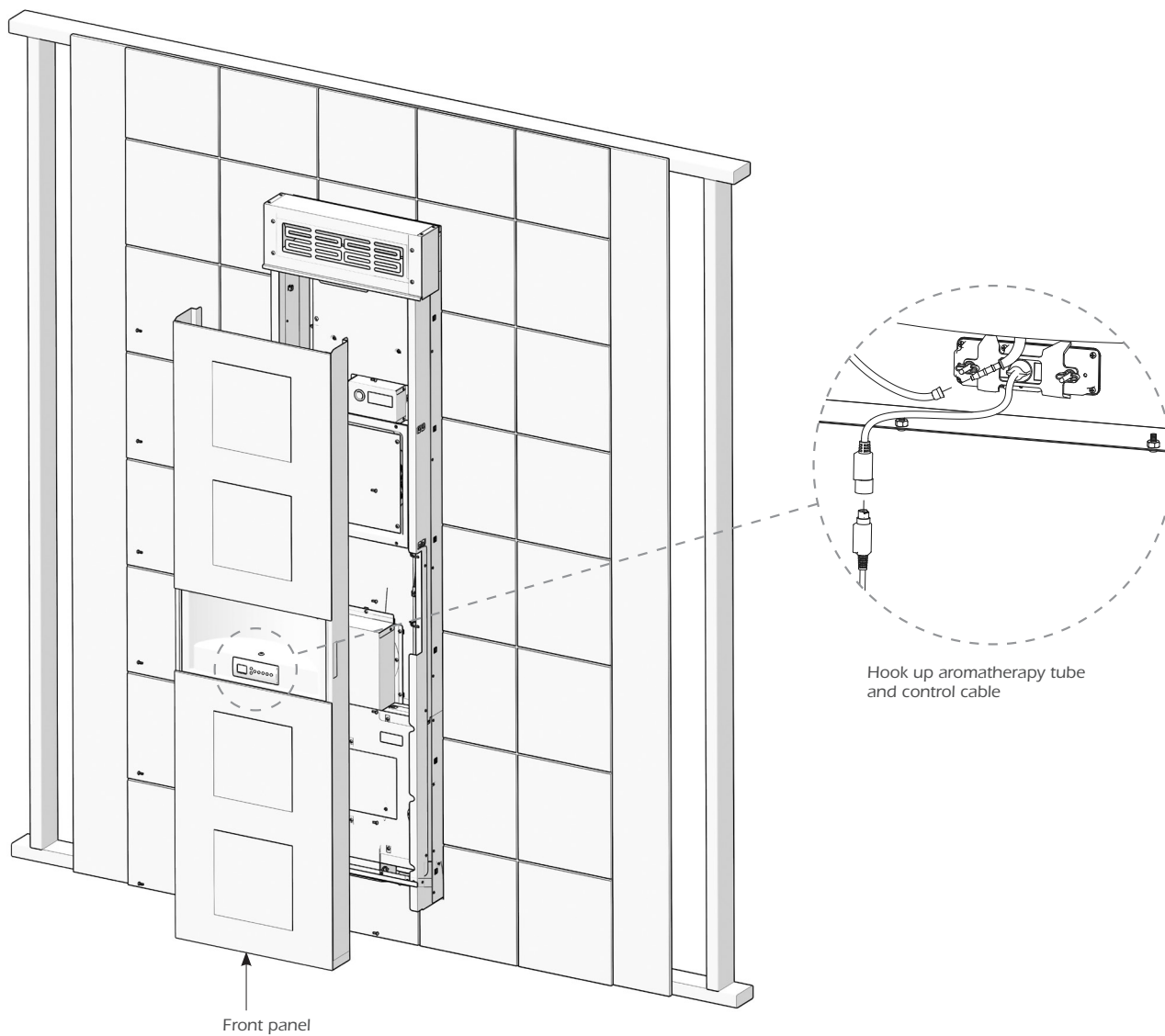


# FINISHING INSTALLATION



## FINISHING INSTALLATION

### FRONT PANEL INSTALLATION, CONTROL AND AROMATHERAPY TUBE CONNECTIONS



**⚠ WARNING**

- Use a hand-held screwdriver to avoid damaging the front panel.
- Make sure to properly secure in place the 14 screws of the front panel.
- Connect and test the control before final installation.



## FINISHING INSTALLATION

### CAUTION SIGNAGE



## WARNING



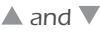

- This **WARNING** sticker should affix close to the Vedana unit to be easily read by user.

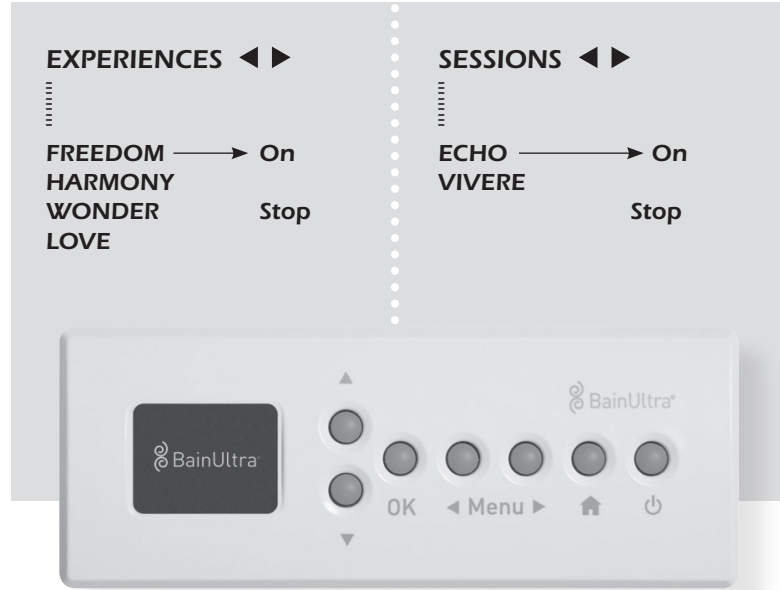
### TO REDUCE THE RISK OF HYPERTHERMIA

1. Exit immediately if uncomfortable, dizzy or sleepy. Staying too long in space where the air is hot can cause hyperthermia (overheating).
2. Supervise children at all times.
3. Obtain physician's approval if pregnant, under medical care or in poor health, especially if presenting the following health problems: cardiovascular disease, kidney failure requiring dialysis or a history of heat stroke.
4. Breathing heated air in conjunction with consumption of alcohol, drugs or medication may cause unconsciousness.
5. Drink water before, during and after the therapy to avoid dehydration.
6. Use the therapeutic system gradually.

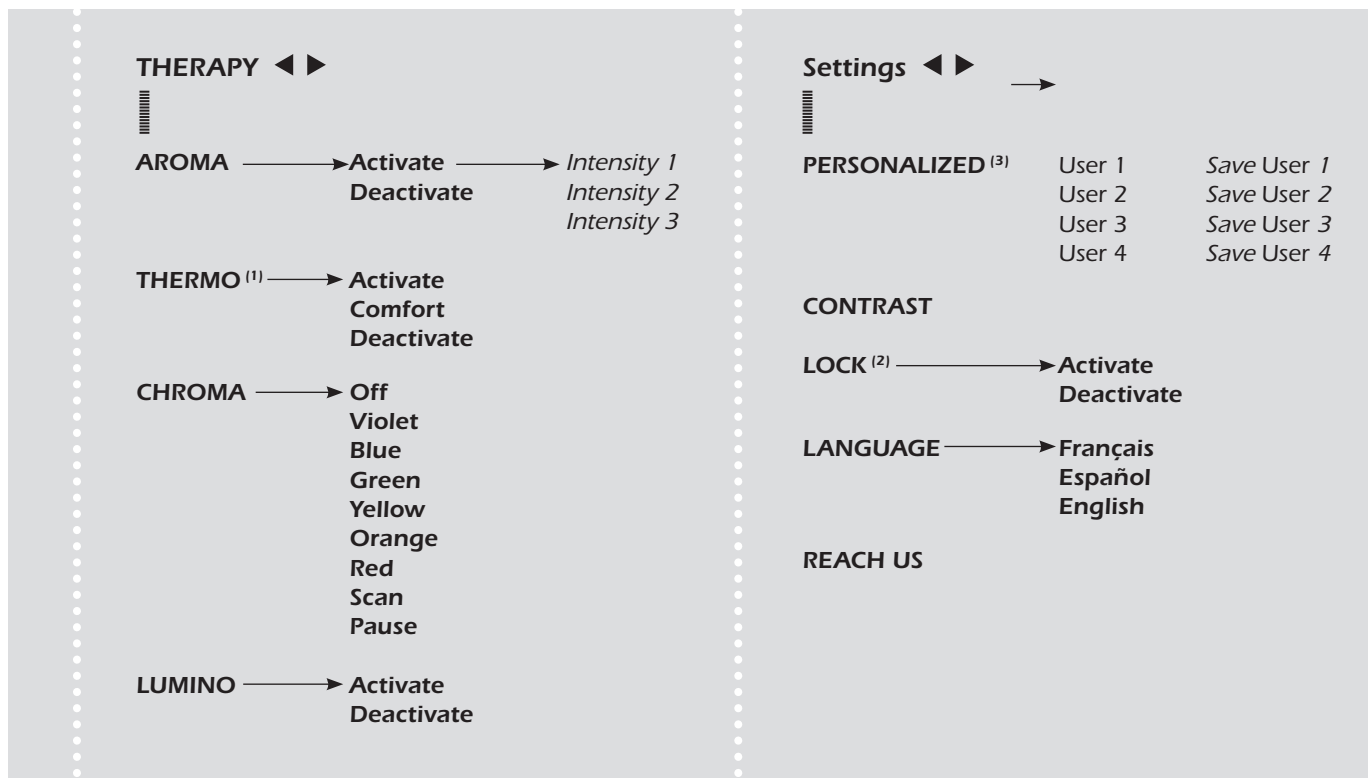
# MIAPLUS® CONTROL NAVIGATION

## LEGEND

	On / Off
	Scroll through main functions
	Navigate within the functions
<b>OK</b>	Validate your choice
	Home



## MIAPLUS® CONTROL NAVIGATION



### NOTES

#### 1. Thermo

Press **Activate**, and **OK** to activate the heat. This allows you to set the desired temperature inside your Vedana.

Press **Deactivate** and the temperature gradually cools down depending on your Vedana's space insulation. When you reach the desired temperature, press **Activate** and then **Comfort**, and the temperature will remain steady.

#### 2. Lock

To activate the **Lock** function, using the **◀** and **▶** keys, select the option **Activate** and **OK** to validate your choice.

When you stop the Vedana, the **Lock** function locks the **⏻** key, making it impossible to restart the system.

To restart the system when the **Lock** function is activated, press the **⏻** key. **Lock** is displayed. Press **OK**.

To deactivate the **Lock** function, press the key until the **Lock** function appears. Use the **▲** or **▼** arrows to select the **Deactivate** option. Press **OK**.

#### 3. Personalized

Set the functions and options to the user's preferences and save them under **User 1, 2, 3 or 4**.

Using the **▲** or **▼** arrows, select desired user settings. Press **OK** to validate your choice.

# BLUETOOTH - MUSIC

## PAIRING WITH A BLUETOOTH ENABLED DEVICE

The Vedana can play music from any device equipped with Bluetooth wireless technologies, however, you must pair your mobile device to the audio receiver in order to do so.

The system is ready to pair when it is not already connected to another device. To pair your device, make sure that you are close enough to the Vedana.

*Note: In basic configuration (not connected to a keypad or control), the in.stream 2 is set in Bluetooth mode. Otherwise, please refer to your specific control operating manual for details on the in.stream 2 functions.*

### FOLLOW THESE STEPS TO PAIR YOUR DEVICE

1. The Bluetooth Module inside the Vedana is called in.stream2.
2. Open the Bluetooth settings on your device. The location of the settings will depend on the device you are using.



3. Make sure Bluetooth is on.
4. Select "in stream 2" in the list of discoverable Bluetooth devices detected nearby.

**Note:** If the device moves out of range and loses connection, it should reconnect automatically as soon as it is close enough. This should happen without having to go through the menu again.

The Vedana will keep up to 8 devices in its memory. If one of the last three connected devices is in range and has its Bluetooth turned on, it will automatically connect with in.stream 2.

If multiple devices are within range and have already been paired with the in.stream 2, priority will be given to the device that was first detected in the in.stream 2 memory.

5. When prompted, enter 5555 as the PIN Code.



6. Once the pairing is done select in stream 2 and when connected is displayed the in stream 2 will be ready to start playing the selected audio.



## MAINTENANCE

### POLYCARBONATE AND STAINLESS STEEL

#### TECHNICAL INFORMATION

- Front panels are made of polycarbonate and support posts of stainless steel.

#### MAINTENANCE

- Clean polycarbonate and stainless steel with a mild non-abrasive product.

### THERMOTHERAPY SYSTEM / AIR FILTER

#### TECHNICAL INFORMATION

- The air filter is found under the Vedana®.

#### FREQUENCY

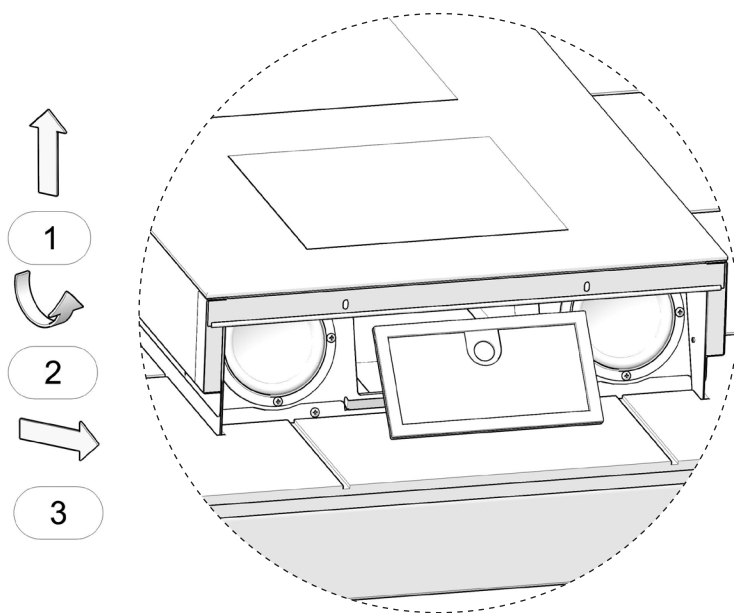
- the air filter must be cleaned twice a year.
- More frequent cleaning may be required depending on use and surrounding environment.

#### MAINTENANCE

- The air filter must be cleaned with water and mild soap. it is dishwasher safe.

### LIGHT THERAPY SYSTEM

Your light therapy is generated by led light, so no maintenance is required.



# MAINTENANCE

## NEBULIZER / ESSENTIAL OIL DIFFUSER

### TECHNICAL INFORMATION

- The diffuser receptacle is made of polycarbonate.
- Essential-oil must be used in the diffuser only.
- The diffusion nebulizer is made of glass.
- Never over fill the diffuser.
- Use diffuser only with quality essential oil and avoid buying low-quality oil that could damage the Vedana®.

### FREQUENCY

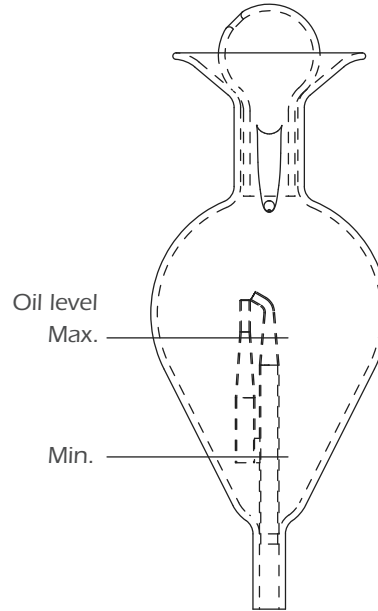
- Add oil before each use.
- Be careful not to overfill nebulizer.

### MAINTENANCE

- Wash receptacle with water and mild soap after each use.
- If any essential oil spills on the polycarbonate, clean with a non-abrasive cleaner immediately.

### SAFETY INSTRUCTIONS

- See page 5 for safety instructions.



## TROUBLESHOOTING

### CONTROL

SITUATIONS	POSSIBLE ISSUES	POSSIBLE SOLUTIONS
<b>It will not start.</b>	<ul style="list-style-type: none"> <li>▪ The circuit interrupter (GFCI) is not "ON" in the electrical panel.</li> <li>▪ The fuse (FU1) is burnt.</li> </ul>	<ul style="list-style-type: none"> <li>▪ Make sure the circuit interrupter (GFCI) is "ON".</li> <li>▪ Replace the fuse (5 Amp).</li> </ul>

### FAN

SITUATIONS	POSSIBLE ISSUES	POSSIBLE SOLUTIONS
<b>It will not start.</b>	<ul style="list-style-type: none"> <li>▪ The fuse (FU2) is burnt.</li> </ul>	<ul style="list-style-type: none"> <li>▪ Replace the fuse (1 Amp).</li> </ul>
<b>It vibrates or makes noise.</b>	<ul style="list-style-type: none"> <li>▪ The air filter under the unit has not been put back in place and an object could have been vacuumed.</li> </ul>	<ul style="list-style-type: none"> <li>▪ Please contact BainUltra.</li> </ul>
<b>It turns off before the end of the therapy and will not start again.</b>	<ul style="list-style-type: none"> <li>▪ The manual thermal protection has tripped related to a major problem. The fan then stops immediately.</li> </ul>	<ul style="list-style-type: none"> <li>▪ Please contact BainUltra.</li> </ul>

### THERMOTHERAPY®

SITUATIONS	POSSIBLE ISSUES	POSSIBLE SOLUTIONS
<b>The fan works but heat does not get out from the air outlet.</b>	<ul style="list-style-type: none"> <li>▪ The system is in a cooling process. The fan works for three minutes after the heating element stops to allow the system to cool down before its complete stop.</li> </ul>	<ul style="list-style-type: none"> <li>▪ Wait three minutes and the fan will stop.</li> </ul>
<b>The temperature is not constant or the performance of the unit slows down.</b>	<ul style="list-style-type: none"> <li>▪ The air filter under the unit could be blocked.</li> </ul>	<ul style="list-style-type: none"> <li>▪ Clean the air filter frequently.</li> </ul>

## TROUBLESHOOTING

### BLUETOOTH - COMMON PROBLEMS AND SOLUTIONS

SITUATIONS	POSSIBLE SOLUTIONS
My device is on "search" mode to detect nearby Bluetooth equipment, but does not detect the in.stream 2.	<ul style="list-style-type: none"> <li>Make sure the audio station is turned on, that you are within range and that the station's Bluetooth is not already connected to a different device.</li> </ul>
My Bluetooth device is not pairing up with the in.stream 2.	<ul style="list-style-type: none"> <li>In order to pair up a device with the in.stream 2, you must be able to type in the custom password "5555". Some Bluetooth transmitters do not allow someone to type in a personalized password so those transmitters can't be paired with the audio station.</li> </ul>
Despite the fact that my device is within range and that the in.stream 2 is turned on with readily available Bluetooth, an error message is displayed when I attempt to pair up or connect my device.	<ul style="list-style-type: none"> <li>Delete any existing pairing between your device and the audio station, reset all Bluetooth functions on the device you are trying to pair up or connect with the station and start over with the pairing process.</li> </ul>
My device is connected, but the music is not playing.	<ul style="list-style-type: none"> <li>In some instances, the in.stream 2 will not be able to launch the music application of the connected device. Make sure the music application is open and running on the front page of your mobile device.</li> </ul>
My device is connected, but instead of playing from the audio station, the music is playing from my device.	<ul style="list-style-type: none"> <li>An error might have occurred during your connection with the in.stream 2. Disconnect your device from the station and restart the connection.</li> </ul>
The automatic reconnection mode is not working.	<ul style="list-style-type: none"> <li>It is possible that other devices have been connected to the audio station and that the current device is no longer one of the last three connected device or that it has been disconnected using the station's keypad, thus deactivating the automatic reconnection with this device. In this case, you will need to manually reconnect the device to the in.stream 2 once to reactivate the automatic reconnection with this specific device.</li> </ul>

### AROMATHERAPY

SITUATIONS	POSSIBLE ISSUES	POSSIBLE SOLUTIONS
It will not start.	<ul style="list-style-type: none"> <li>The AROMATHERAPY function is not activated.</li> <li>The level of essential oil in the nebulizer is insufficient.</li> </ul>	<ul style="list-style-type: none"> <li>Make sure the AROMATHERAPY function is activated.</li> <li>Make sure the diffusion nebulizer is filled to its functional level (See page 22).</li> </ul>